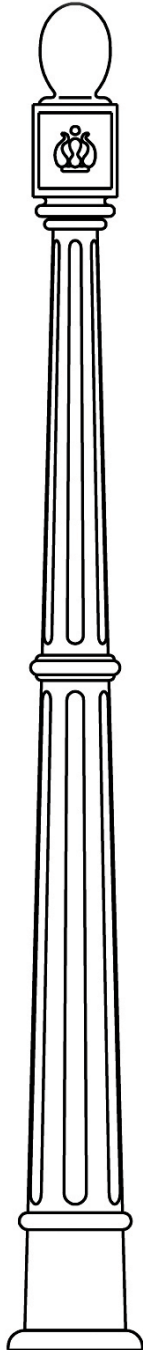


Eagle Landing Mailbox Specs

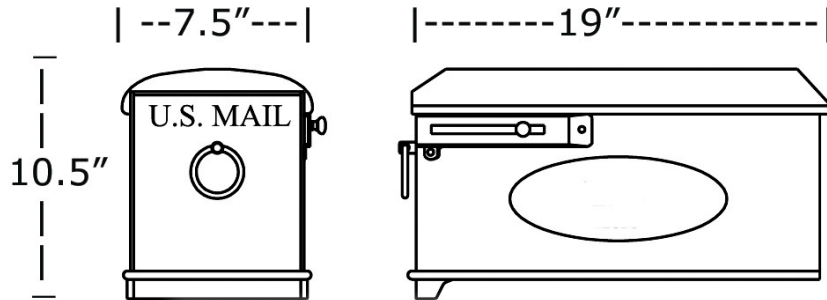
- Imperial 5/2005

JX 1 0515

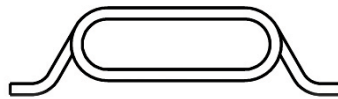
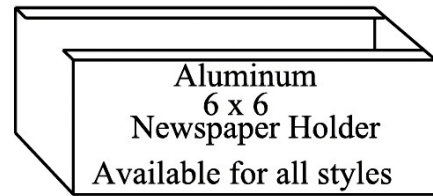


Post 3

Black Post, approx. 60" H



Black letter box, pull ring and sliding red flag - front and side view



Black number plate with 2" Gold address numerals

Constructed of cast aluminum (not sheet metal). Will not rust or corrode, set in concrete base for optimum stability.